

HYDRAFLEX HOLD CLEANER

OPERATION & MAINTENANCE MANUAL



CONTENTS

INTRODUCTION	3
GENERAL INFORMATION	3
EU DECLARATION OF CONFORMITY	4
UKCA DECLARATION OF CONFORMITY	5
DECLARATION OF CONFORMITY	6
SAFETY	7
HAND ARM VIBRATION	7
WARRANTY	7
PRE START CHECKS (DAILY)	8
AIR & WATER SUPPLY	8
OPERATION	8
MACHINE STORAGE	8
EXPLODED DIAGRAM - HYDRAFLEX	9
PARTS LIST - HYDRAFLEX	9
TECHNICAL SPECIFICATIONS	10
NOTES	11
CONTACT US	12

INTRODUCTION

Thank you for choosing a product by Trelawny SPT Ltd, an innovative leading brand in the Surface Preparation sector.

This product has been manufactured under stringent quality standards to meet superior performance criteria. This manual contains the necessary maintenance information for you to ensure proper operation and care for this equipment.

In the unlikely event that you experience a problem please do not hesitate to contact your local Trelawny dealer or agent. We always welcome feedback and comments from our valued customers.



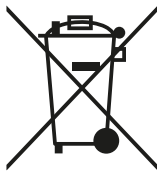
WARNING:

Carefully read through these original instructions before using your new TRELAWNY Equipment. Take special care to read warnings. TRELAWNY products have many features that will make your job faster and easier. Safety, performance, and dependability have been given top priority in the development of this product, making it easy to operate and maintain.



ENVIRONMENTAL PROTECTION:

The equipment, accessories and packaging should be sorted for environmentally friendly recycling. The plastic components are labelled for categorised recycling.



DISPOSAL:

Waste products should not be disposed of with household waste. Please recycle where facilities exist. Check with your local authority or retailer for recycling advice.

GENERAL INFORMATION

Before operating any TRELAWNY equipment, this manual must be read and understood by the operator, if in any doubt ask your supervisor before using this equipment. Failure to follow these instructions could result in damage to the equipment and/or personal injury.

Trelawny SPT Ltd disclaims all responsibility for damage to persons or objects arising as a consequence of incorrect handling of the equipment, failure to inspect the equipment

prior to starting work for damage or other faults that may influence the operation of safe working of the equipment, or failure to follow the safety regulations listed or applicable to the job site.

Operators should be familiar with the data given in the specification section. Please keep these instructions in a safe and accessible place.

EU DECLARATION OF CONFORMITY



EU Declaration of Conformity

We, **Trelawny SPT Ltd of 13 Highdown Road, Sydenham Industrial Estate, Leamington Spa, Warwickshire, CV31 1XT, GB** declare that the DoC is issued under our sole responsibility and belongs to the following product:

PART NUMBER

DESCRIPTION

SERIAL NUMBER

YEAR OF CONSTRUCTION

The object of the declaration described above is in conformity with the relevant **Union Harmonisation Legislation:**

- **2006/42/EC** Machinery Directive

The following harmonised standards and technical specifications have been applied:

- **EN ISO 11148-4:2012** Hand-held non-electric power tools — Safety requirements
Part 4: Non-rotary percussive power tools

Technical files are held by Indutrade Benelux BV, Anton Philipsweg 1, 1422 AL Uithoorn, Netherlands

Notified Body:
Not Applicable. Machinery is not listed under ANNEX IV of the Machinery Directive.

Place of Declaration:
Trelawny SPT Ltd, 13 Highdown Road, Sydenham Industrial Estate, Leamington Spa, Warwickshire, CV31 1XT, GB

Date of Declaration:
December 2024

Signed by:

Daniel Rowledge
Managing Director

UKCA DECLARATION OF CONFORMITY



UKCA Declaration of Conformity

We, **Trelawny SPT Ltd of 13 Highdown Road, Sydenham Industrial Estate, Leamington Spa, Warwickshire, CV31 1XT, GB** declare that the DoC is issued under our sole responsibility and belongs to the following product:

PART NUMBER

DESCRIPTION

SERIAL NUMBER

YEAR OF CONSTRUCTION

The object of the declaration described above is in conformity with the relevant **Statutory Requirements**:

- **2008 No. 1597** Supply of Machinery (Safety) Regulations 2008

The following designated standards and technical specifications have been applied:

- **BS EN ISO 11148-4:2012** Hand-held non-electric power tools — Safety requirements
Part 4: Non-rotary percussive power tools

Technical files are held by **Daniel Rowledge** at the Trelawny address stated above.

Approved Body:

Not Applicable. Machinery is not listed under ANNEX IV of the Machinery Directive.

Place of Declaration:

Trelawny SPT Ltd, 13 Highdown Road, Sydenham Industrial Estate, Leamington Spa, Warwickshire, CV31 1XT, GB

Date of Declaration:

December 2024

Signed by:

Daniel Rowledge
Managing Director

DECLARATION OF CONFORMITY

<p>CZ Prohlášení o přizpůsobení My, společnost Trelawny SPT Limited podajemy daňové přiznání, že výrobek a dodávka výrobku název výrobku Model, výrobní číslo Rok výroby Pro které se průkaz týkající, je přizpůsobení s zásobou od následující příkazov a jejich pohotovostní: 2006/42/EC Příkaz soustrojí 2014/35/EC Příkaz nízkého napětí (upotřebitelné jedině do výrobku použité elektrické energie)</p>	<p>LT ATITIKTIES DEKLARACIJA Mes, Trelawny SPT Limited Prisiidami visą atsakomybę deklaruojame, kad tiekiamas / gaminamas produktas Produkto pavadinimas Modelis, serijos numeris Pagaminimo Kuriam laikoma ši deklaracija, atitinka šių direktyvų, norminių aktų ir su jais susijusių, standartų reikalavimus: 2006/42/EC Įrangos direktyva 2014/35/EC Žemos įtampos direktyva (laikoma tik elektriniams įrengimams)</p>
<p>DE Übereinstimmungserklärung Wir, Trelawny SPT Limited erklären, dass unter unserer alleinigen Verantwortung für die Lieferung und Herstellung des Produktes Name des Produktes Model, Seriennummer Jahr der Herstellung auf welches sich dieses Dokument bezieht, stimmt mit den Vorgaben der folgenden Direktive, normativen Dokumente und deren jeweiligen Maßstäbe ein: 2006/42/EC Maschineriedirektive 2014/35/EC Niederspannungsrichtlinie (nur zutreffend auf Produkte, die Strom benutzen)</p>	<p>MT DIKJARAZZJONI TA KONFORMITÀ Ahna, Trelawny SPT Limited Niddikjaraw li ahna responsabbli kompletament għal provista / manifattura tal-prodott hawn 1msemmi: Isem Il-Prodott Mudell, Serial number Sena li 'produzzjoni Dan id-dokument magħmul għal prodott imsemmi hawn fuq, li huwa skond il-provizjonijiet imsemmija fid-dokumenti tal-klassi tax-xogħol: 2006/42/EC Machinery Directive 2014/35/EC Low Voltage Directive (tapplika biss għal prodotti li jahdmu bi-elekttriku)</p>
<p>DK Erklæring om overensstemmelse Vi, Trelawny SPT Limited Erklærer hermed at under vores ene forhandling ansvar for vores forhandling/produktion af produktet Produkt navn Model, serie nummer Produktionsår For hvilket dette dokument referer, at deler i overensstemmelse med bestemmelser af følgende direktiver, normative dokumenter og deres relevante standard: 2006/42/EC Machinery directive 2014/35/EC Low voltage directive</p>	<p>NL EENVORMIGHEIDSVERKLARING Wij, Trelawny SPT Limited Verklaaren dat wij de volledige verantwoordelijkheid dragen voor het leveren/fabriceren van het volgende product: Naam van het product Type, Serienummer Productiejaar En verklaaren dat het product waarnaar dit document verwijst eenvoudig is met de voorzieningen van de volgende Richtlijn(en), Normatieve Documenten en hun relevante Standaarden: 2006/42/EC MACHINERIECHTLIJN 2014/35/EC LAAGSPANNINGSRICHTLIJN (uitsluitend van toepassing bij producten die elektrische stroom gebruiken)</p>
<p>EE TOOTE VASTAVUSE DEKLARATSIOON Meie, Trelawny SPT Limited Deklareerime, et vastutame järgmise varustuse/toote müügi eest Toote nimetus Mudel, Seeria number Aegseda loodärgu Arstul dokument lüendab toote vastavust järgmistele direktiivide/lele, normatiividele ja nendega samaväärsetele standardidele: 2006/42/EC MASINA DIREKTIIVID 2014/35/EC MADALPINGE DIREKTIIVID (Kohandatakse vaid tootele, mis kasutavad elektrivoolu)</p>	<p>PL Deklaracja Zgodności My, Firma Trelawny SPT Limited. oświadczamy w naszej odpowiedzialności, że produkcja i dostawa urzadzzenia Nazwa produktu Model, numer seryjny Rok produkcji do którego ten dokument należy, jest zgodne z klauzulami następujących zarządzeń i ich istotnych standardów: 2006/42/EC Zarządzenie mechaniczne 2014/35/EC Zarządzenie niskiego napięcia elektrycznego (Zastosowanie tylko przy urządzeniach elektrycznych)</p>
<p>ES Declaración de Conformidad Nosotros, Trelawny SPT Limited Declaramos que bajo nuestra completa responsabilidad de la fabricación/suministro del producto Nombre del Producto Modelo, No de Serie Año de producción A quien este documento se refiere, está de acuerdo con lo relacionado en la Directriz, Normativa Documentada y sus relevantes standards: 2006/42/EC Directorio de Maquinaria 2014/35/EC Directorio de Bajo Voltaje (Aplicable solamente a productos que funcionen con electricidad)</p>	<p>PT DECLARAÇÃO DE CONFORMIDADE CE A empresa TRELAWNY SPT LIMITED Declara, sob sua inteira responsabilidade, que o fornecimento/fabrico do seguinte produto: Designação do produto Modelo, Número de Série Ano de produção a que esta declaração se refere, está em conformidade com o preceituado nas Directivas e Normas Comunitárias abaixo indicadas: 2006/42/EC DIRECTIVA DE MÁQUINAS 2014/35/EC DIRECTIVA DE BAIXA VOLTAGEM (Aplicável apenas a produtos que utilizam energia eléctrica)</p>
<p>FI ILMOITUSVAHVISTUS Me, Trelawny SPT Limited Valvisillämme tuotteen toimittamisesta/valmistamisesta Tuotteen nimi Malli, sarjanumero Valmistusvuosi Täällä todistuksella vahvistamme saadokset seuravien ohje/ohjesien, Yleisin papereihin ja niihin liittyvät vaatimukset: 2006/42/EC KONEISTON OHJEET 2014/35/EC PIENJÄNNITTE OHJEET (tarvitaan ainoastaan tuotelle jotka käyttävät sähkövoimaa)</p>	<p>RU СВИДЕТЕЛЬСТВО О СООТВЕТСТВИИ Мы, Trelawny SPT Limited Заявляем, что несем полную ответственность за поставку/производство нижеуказанной продукции Наименование изделия Модель, серийный номер Год выпуска на которую выдано настоящее Свидетельство, и которая соответствует положениям следующей(их) директиве(ы), нормативным документам и относящимся к ним стандартам: 2006/42/EC ДИРЕКТИВА ПО МЕХАНИЗМАМ 2014/35/EC ДИРЕКТИВА ПО НИЗКОВОЛЬТНОМУ ОБОРУДОВАНИЮ (распространяется только на изделия с электропитанием)</p>
<p>FR DÉCLARATION DE CONFORMITÉ Nous, soussignés Trelawny SPT Limited déclarons que le produit sous-nommé Nom du produit Modèle et Numéro de Série Année de production et pour lequel nous prenons entière responsabilité pour sa fourniture et manufacture, est conforme aux clauses des directives suivantes documents normatifs et normes qui s'y appliquent: 2006/42/EC DIRECTIVE POUR LA MACHINERIE 2014/35/EC DIRECTIVE POUR BAS VOLTAGE (n'est applicable qu'aux produits utilisant l'énergie électrique)</p>	<p>SE FÖRSÄKRAN OM ÖVERENSSTÄMMELSE VI, TRELAWNY SPT LIMITED FÖRKLARAR ATT VI MED ENSAMT ANSVAR ANSKAFFAT / TILLVERKAT PRODUKTEN PRODUKTNAMN MODELL och SERIE NUMMER Tillverkningsår TILL VILKEN DETTA DOKUMENT HÄNVISAR ÄR I ÖVERENSSTÄMMELSE MED FÖLJANDE DIREKTIV, NORMATIVA DOKUMENT OCH DERAS RELEVANTA STANDARDER 2006/42/EC MASKINDIREKTIV 2014/35/EC LÅGSTRÖMSDIREKTIV (TILLÄMPLIG PÅ ELEKTRISK DRIVNA PRODUKTER)</p>
<p>GR ΔΗΛΩΣΗ ΠΙΣΤΟΤΗΤΑΣ Η εταιρεία Trelawny Spt Limited Δηλώνει ότι έχει τη μονδική ευθύνη ως κατασκευαστρια / προμηθευτρια του παρακάτω προϊόντος περιγραφη προϊόντος μοντέλο, αριθμός σειράς έτος παραγωγής και στο οποίο αναφέρεται αυτή η δήλωση, είναι συμβατό με τις προδιαγραφές που ορίζονται στις ακόλουθες Κοινοτικές Οδηγίες Ελεγκτικές Διατάξεις κι άλλες σχετικές προδιαγραφές 2006/42/EC ΟΔΗΓΙΑ ΠΕΡΙ ΜΗΧΑΝΗΜΑΤΩΝ 2014/35/EC ΟΔΗΓΙΑ ΠΕΡΙ ΧΑΜΗΛΗΣ ΤΑΣΗΣ (αφορά μόνον προϊόντα που λειτουργούν με ηλεκτρικό ρεύμα)</p>	<p>SI IZJAVA O SKLADNOSTI Trelawny SPT Limited pod polno odgovornostjo izjavljamo, da so spodaj navedeni proizvodi, ki jih dobavljamo/producirajamo: Ime proizvoda Model, serijska številka Leto proizvodnje na katere se ta dokument nanaša, proizvedeni v skladu z določili naslednjih direktiv, normativnih dokumentov in njihovih relevant- nih standardov: 2006/42/EC DIREKTIVA O STROJIH 2014/35/EC DIREKTIVA O STROJIH Z NIZKO VOLTAŽO (nanaša se samo na proizvode na električni pogon)</p>
<p>HU MEGFELELŐSÉGI NYILATKOZAT Mi, A "Trelawny SPT Limited" cég Felelősségünk tudatában kijelentjük, hogy mint a termék szállítója/gyártója Termék neve Típus, Sorozatszám Gyártási év amelyre jelen dokumentum vonatkozik, megfelel az alábbi Irányelv(ek), Irányadó Dokumentumok előírásainak, és az azokat meghatározó szabványoknak: 2006/42/EC GÉPÉSZETI IRÁNYELVEK 2014/35/EC KISFESZÜLTÉSŰ IRÁNYELVEK (Csak az elektromos meghajtású gépeknél)</p>	<p>TR UYGUNLUK BEYANI Trelawny SPT Limited Aşağıdaki, üretim ve tedarikinden tek başına sorumlu olduđu ürünün Ürün adı Model/Seri no Üretim yılı bu belgenin ilgili olduđu apaşğıdaki yönetmeliklerin, norm belgelerinin ve ilgili standartları'nın koşullarına uygun olduđunu beyan eder: 2006/42/EC MAKÝNALAR YÖNETMELÝĐÝ 2014/35/EC DÜĐUK GERÝLÝM YÖNETMELÝĐÝ (Yalnızca elektrikle çalıřan ürünlerde geçerlidir)</p>
<p>IT DICHIARAZIONE DI CONFORMITÀ La Società Trelawny SPT Limited Dichiaro, sotto la propria responsabilità, che la fornitura / produzione del prodotto Nome prodotto Modello, codice Anno di produzione a cui si riferisce tale documento è conforme alle seguenti Direttive, ai documenti della Normativa ed ai relativi standard: 2006/42/EC DIRETTIVA SULLE APPARECCHIATURE 2014/35/EC DIRETTIVA SUL BASSO VOLTAGGIO (applicabile esclusivamente per i prodotti che utilizzano energia elettrica)</p>	

SAFETY

DO:

- Wear personal protective equipment including safety goggles, footwear, ear defenders and gloves. In some environments it will be necessary to wear facemasks or breathing apparatus.
- Be aware that this equipment can create dust and flying debris.
- Keep hands, feet and clothing away from moving parts.
- Follow the prestart checks detailed in this manual.
- Ensure that the workplace is well ventilated.
- Be aware of others working around you.
- Always follow safe-working practices.
- Inspect the equipment prior to using.
- Store this equipment in a secure and dry environment.

DO NOT:

- Modify this equipment in any way. This will invalidate the warranty and could lead to serious injury.
- Allow the equipment to run unattended.
- Use petrol (gasoline), thinners or any other high flash point solvent to clean the equipment.
- Disassemble or repair unless Trelawny trained.
- Permanently fix the operating lever or button in the on/run position.

HAND ARM VIBRATION

Trelawny Equipment may cause hand-arm Vibration Syndrome injury if their use is not adequately managed.

We advise you to carry out a risk assessment and to implement measures such as; limiting exposure time [i.e. actual trigger time, not total time at work], job rotation, ensuring the tools are used correctly, ensuring the tools are maintained according to our recommendations, and ensuring that the operators wear personal protective equipment (PPE) particularly gloves and clothing to keep them warm and dry.

Employers should consider setting up a programme of health surveillance to establish a benchmark for each operator and to detect early symptoms of vibration injury.

We are not aware of any PPE that provides protection against vibration injury by attenuating vibration emissions.

See 'Specifications' section for vibration emission data.

Further advice is available from our Technical Department.

We strongly advise you to visit the Health & Safety Executive website <http://www.hse.gov.uk/vibration> - this site provides excellent advice and information on HAV and currently, includes a Hand-Arm Vibration Exposure Calculator that is easy to use to work out the daily vibration exposure for each of your operators.

WARRANTY

When you choose TRELAWNY, you're investing in a product engineered for strength, durability, and unwavering reliability. Our equipment is built to endure the toughest challenges, showcasing nearly 80 years of craftsmanship in Surface Preparation Technology. We take pride in being the industry benchmark, offering not just a tool but a lasting companion for tough jobs, backed by a 12-month warranty for peace of mind.

Register your TRELAWNY product within 30 days of purchase by scanning the QR code to activate your warranty and enjoy the full support from our team.

PLEASE RETAIN YOUR PROOF OF PURCHASE, AS IT WILL BE REQUIRED TO PROCESS ANY WARRANTY CLAIMS.

The following are not covered under the Trelawny warranty:

- Damage caused by abuse, misuse, dropping or other similar damage caused by or as a result of failure to follow assembly, operation or user maintenance instructions.
- Alterations, additions or repairs carried out by persons other than Trelawny or their recognised agents.

- Transportation costs to and from Trelawny or their recognised agents, for repair or assessment against a warranty claim, on any equipment.
- Materials and/or labour costs to renew, repair or replace components due to fair wear and tear.

In no case whatsoever shall the Customer be entitled to claim damages, in particular but not be limited, loss of profit and other direct or indirect or consequential damage. This exclusion of liability, however, does not apply to unlawful intent or gross negligence on our part, but does apply to unlawful intent or gross negligence of persons employed or appointed by us to perform any of his obligations.



All warranty claims should firstly be directed to Trelawny SPT Ltd. Please provide, part number, serial number and proof of purchase, either by telephone or E-mail.

Tel: +44 (0)1926 883781

Email : warranty@trelawny.com

PRE START CHECKS (DAILY)

- The compressed air must be free from water and dirt. Always clear the air hose before connecting to the tool.
- Ensure that no moisture (condensation) is present in the air hose.
- Ensure air hose and all couplings are secure, leak free and in good condition.
- Limit the length of air hose to 30M (100ft). Where extra length is necessary, for each additional 15M (50ft) of air hose used, the pressure drop is approximately 0.21bar (3psi).
- For safe and efficient operation, the correct operating pressure is 6.9bar (100 psi).
- Do not let the operating pressure fall below 6.2bar (90psi) or rise above 7.6bar (110 psi).
- Grease the top swivel regularly using the grease nipple at the top of the tripod.

AIR & WATER SUPPLY

AIR SUPPLY

- Ensure that a minimum 19mm (3/4") bore air hose is used and that all couplings are secure, leak free and in good condition.
- Limit the length of air hose to 30M (100ft). Where extra length is necessary, for each additional 15M (50ft) of air hose used, the pressure drop is approximately 0.21bar (3psi).
- Recommended air pressure is 6.9bar (100 psi).
- Do not let the operating pressure fall below 6.2bar (90p.s.i.) or rise above 7.6bar (110 psi) Preferably, the compressor should be able to supply a minimum of 47.2 L/s (100cfm) free air.

WATER SUPPLY

- Ensure that a minimum 51mm (2.0") bore water hose is used and that all couplings are secure, leak free and in good condition.
- The recommended water pressure is 5.9 bar (85p.s.i.).

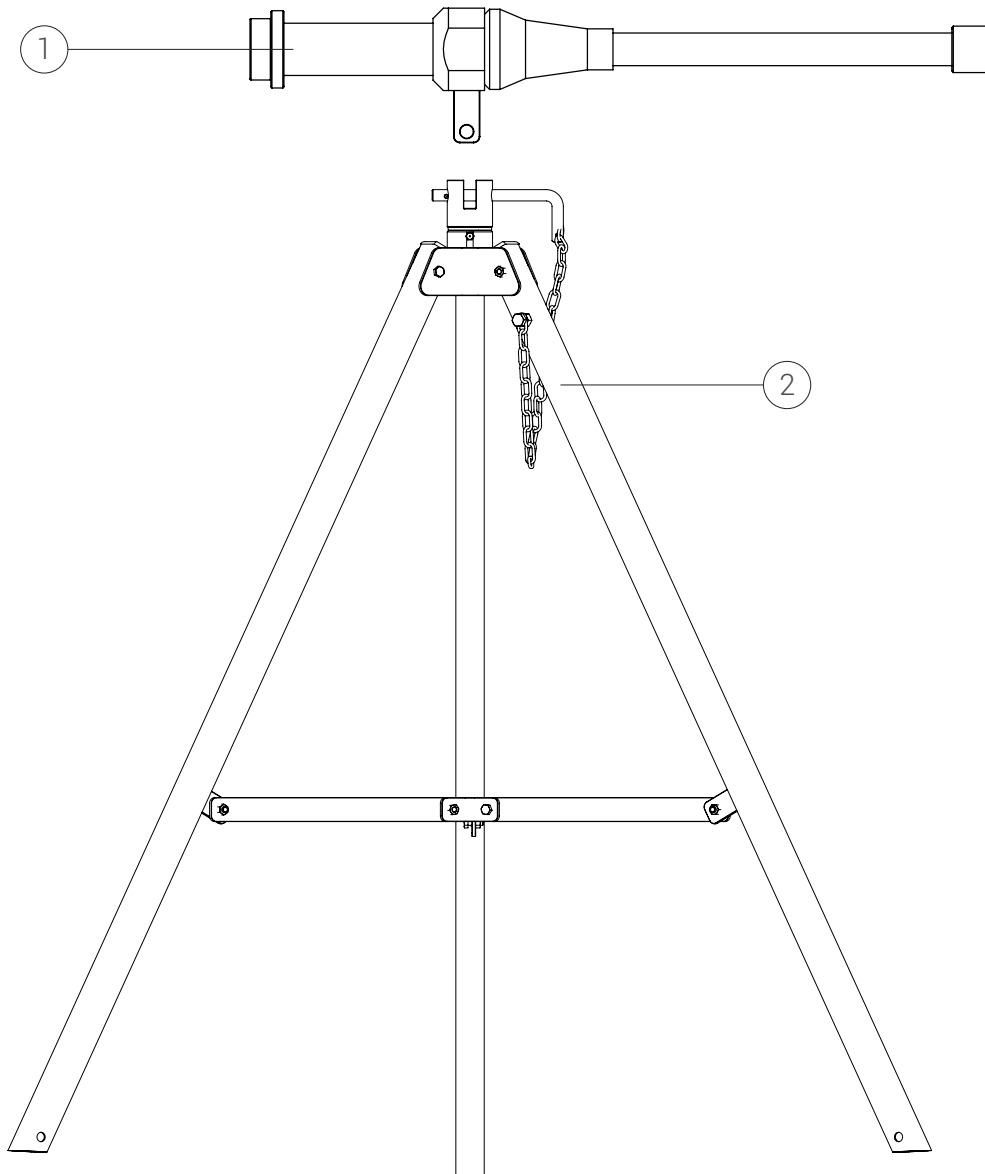
OPERATION

- **IMPORTANT:** Take precautions to ensure that the area to be cleaned is completely free of personnel and of any electrical equipment that is exposed or is not protected against water ingress (IP67 minimum protection).
- Always clear the air hose before connecting it to the Hydraflex, this is to ensure the removal of any foreign bodies that may be present, which would otherwise block, or choke the valve assembly.
- Connect a 51mm (2.0") water hose to the rear of the Hydraflex using the hose adapter or fit one of the supplied instantaneous couplings to the hose and connect to the adapter.
- Erect the tripod and spread the tripods legs fully, ensure that the tripod is placed in a stable position.
- Remove the safety pin from the swivel pin and remove the swivel pin from the tripod, attach the Hydraflex to the tripod securing it with the swivel pin, replace the safety pin.
- With one operator securely holding and controlling the Hydraflex a second person should slowly open the water valve at the main or pump.
- It is very important that the Hydraflex be held securely while the water is being turned on and while it is in use.
- The air valve should now be adjusted carefully to produce a tight hard-hitting jet of water. Excessive air will cause the jet of water to break up and spread, becoming less effective.
- In an emergency or once cleaning has been completed, close the air valve and instruct the second operator to shut off the water supply.
- Disconnect the air and water hoses and wipe all deposits from the outside of the Hydraflex.
- Remove the safety pin and then taking the weight of the Hydraflex, remove the swivel pin from the tripod and remove the Hydraflex. Replace the tripod swivel pin and replace its safety pin.
- When collapsing the tripod, take care not to trap fingers or hands. It is recommended that the joints and swivel head of the Tripod be lubricated prior to storage.
- Cover the Hydraflex hold cleaner to protect it and store in a secure and dry place.

MACHINE STORAGE

- Clean outside of the equipment and inspect the consumable items for wear, replace any worn parts as required.
- Lubricate any exposed moving parts.
- Cover and store the equipment in a dry location.

EXPLODED DIAGRAM - HYDRAFLEX



PARTS LIST - HYDRAFLEX

ITEM NO.	PART NO.	DESCRIPTION	QUANTITY
1	342.HY01	Hold Cleaning Gun	1
2	342.HY02	Tripod Assembly	1
ITEMS NOT SHOWN			
N/A	342.HY05	2" BSP Instantaneous Water Hose Adapter	1
N/A	342.HY03	Water Hose Coupling - 2½" x 2½"	1
N/A	342.HY04	Water Hose Coupling - 2½" x 2"	1

TECHNICAL SPECIFICATIONS

DETAIL		
Part Code	342.HY50	
Description	Hydrflex Hold Cleaner	
Recommended water pressure	6kg/cm ² (5.9 bar)	85psi
Recommended air pressure	7kg/cm ² (6.9 bar)	100psi
Estimated water consumption	454lpm	100gal/min
Estimated air consumption	33lps	70cfm
Recoil	10-18kg	22-40lbs
Weight (Hydrflex)	5.5kg	12lbs
Weight (Tripod)	8.6kg	19lbs
Weight (Total)	14.1kg	31lbs
Length (Hydrflex)	770m	30"
Length (Tripod)	1027mm	40.5"
Air hose (minimum internal diameter)	20mm	3/4"
Water hose (minimum internal diameter)	51mm	2"
Instantaneous coupling (use water hose adapter)	2½" BSP x 2"	
Instantaneous coupling (use water hose adapter)	2" BSP x 2"	
Trelawny SPT Ltd operates a policy of continuous product development and refinement and therefore reserves the right to change technical specifications and product designs without giving prior notice.		

Trelawny tools are thoroughly tested under specified conditions in accordance with applicable internationally recognised standards. When a tool is used on site the conditions may not be the same as those used in our tests.

Trelawny Surface Preparation Technology operates a policy of continuous product development and refinement and therefore reserves the right to change technical specifications and product designs without giving prior notice.

All rights reserved. Any unauthorised use or copying of the contents or part thereof is prohibited. This applies to trademarks, model denominations, part numbers and drawings.

Use only genuine Trelawny consumables with this product. The use of non-Trelawny spare parts invalidates the warranty.

THE PERFECT FINISH
STARTS WITH
TRELAWNY



DEALER STAMP:



CONTACT US

Trelawny SPT Limited

Trelawny House, 13 Highdown Road, Sydenham Industrial Estate,
Leamington Spa, Warwickshire, CV31 1XT, United Kingdom

Telephone: +44 (0)1926 883781

Email: sales@trelawny.com

Website: www.trelawny.com

Manual Part Number:

735.HY01 01

CERTIFIED
ISO 9001



0008